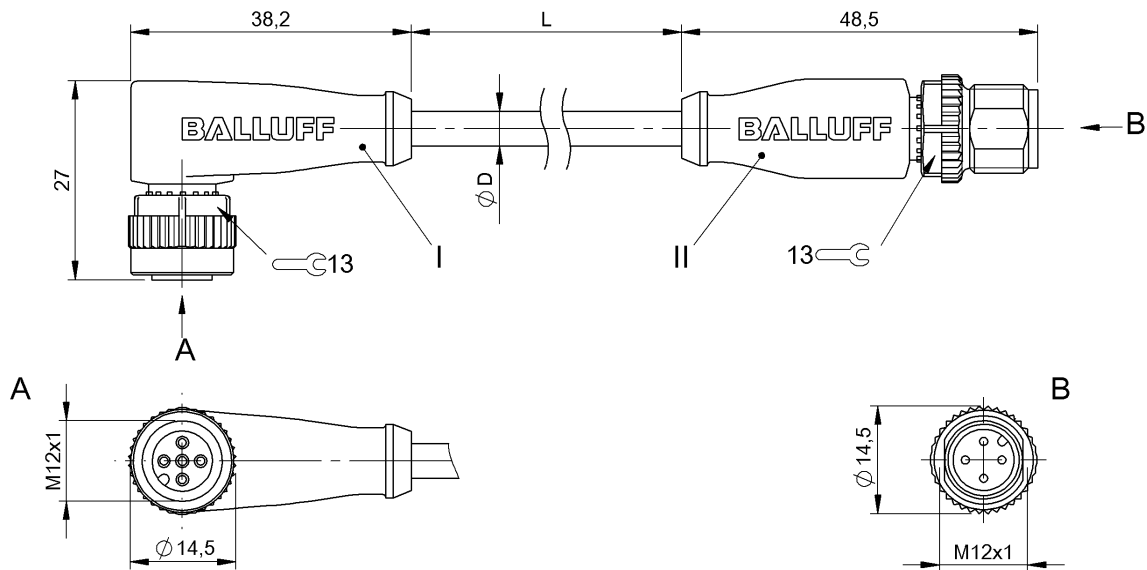


Double-Ended Cordsets  
**BCC M425-M414-3A-650-PW3434-030**  
 Order Code: BCC0CAC

**BALLUFF**



**Basic features**

Application	Welding area
Approval/Conformity	CE cULus WEEE

**Display/Operation**

Function indicator (Pin 2)	LED white
Function indicator (Pin 4)	LED yellow
Power indicator	LED green/no

**Electrical connection**

Bending radius min., fixed cable	5 x D
Bending radius min., flexible cable	10 x D
Cable	PUR welding spark resistant Orange, 3 m, drag chain compatible
Cable diameter D	4.30 mm ±0.10 mm
Cable, bending cycles min.	10 mil.
Cable, torsion stress	±360°/m
Conductor cross-section	0.34 mm <sup>2</sup>
Connection 1	M12x1-Female, angled, 5-pin, A-coded
Connection 2	M12x1-Male, straight, 4-pin, A-coded
Number of conductors	4
System	Molded/Molded

**Electrical data**

Operating voltage U <sub>b</sub>	30 VDC
Rated current (40 °C)	4.0 A

**Environmental conditions**

Cable temperature UL max., fixed routing	80 °C
Cable temperature UL max., flexible routing	80 °C
Cable temperature, drag chain	-25...60 °C
Cable temperature, fixed routing	-50...90 °C
Cable temperature, flexible routing	-25...80 °C
IP rating	IP67, IP68, IP69K/IP67, IP68, IP69K

**Interface**

Switching output	PNP NO/NC antivalent
------------------	----------------------

**Material**

Cable jacket material, note	welding spark resistant
Cable jacket, material	PUR
Material contact carrier	PUR/PUR
Material contacts	Bronze/Brass
Material cover nut	Die-cast zinc/Die-cast zinc
Material grip	PUR/PUR

Double-Ended Cordsets  
**BCC M425-M414-3A-650-PW3434-030**  
**Order Code: BCC0CAC**



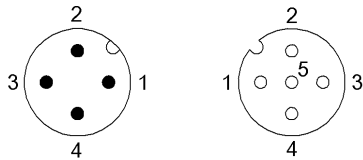
**Mechanical data**

<p>Acceleration max., drag chain      5 m/s<sup>2</sup>          Cable jacket, color                    Orange          Cable length L                            3.00 m          Cable properties                         drag chain compatible</p>	<p>Horizontal travel permitted, drag chain      5 m          Tightening torque pigtail                    0.6 Nm/0.6 Nm          Traverse speed max., drag chain            200 m/min          Vertical travel permitted, drag chain       2 m</p>
--	--

**Remarks**

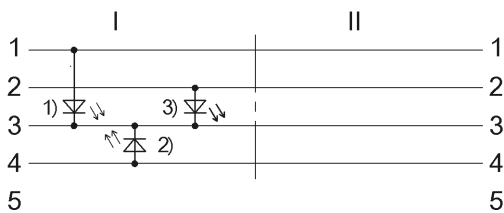
Cable construction acc. to UL-AWM Style 20549  
 Halogen-free per DIN VDE 0472 Part 815  
 Silicone-free  
 Flame resistance per UL FT2  
 Enclosure rating per IEC 60529 or 20653, only in screwed state with the associated mating piece.

**Connector Drawings**



- |  |  |
|--|--|
| <p>II<br/>         PIN 1: brown<br/>         PIN 2: white<br/>         PIN 3: blue<br/>         PIN 4: black</p> | <p>I<br/>         PIN 1: brown<br/>         PIN 2: white<br/>         PIN 3: blue<br/>         PIN 4: black<br/>         PIN 5: not used</p> |
|--|--|

**Wiring Diagrams**



- 1) Green LED = Power
- 2) Yellow LED = Function
- 3) LED white = Function